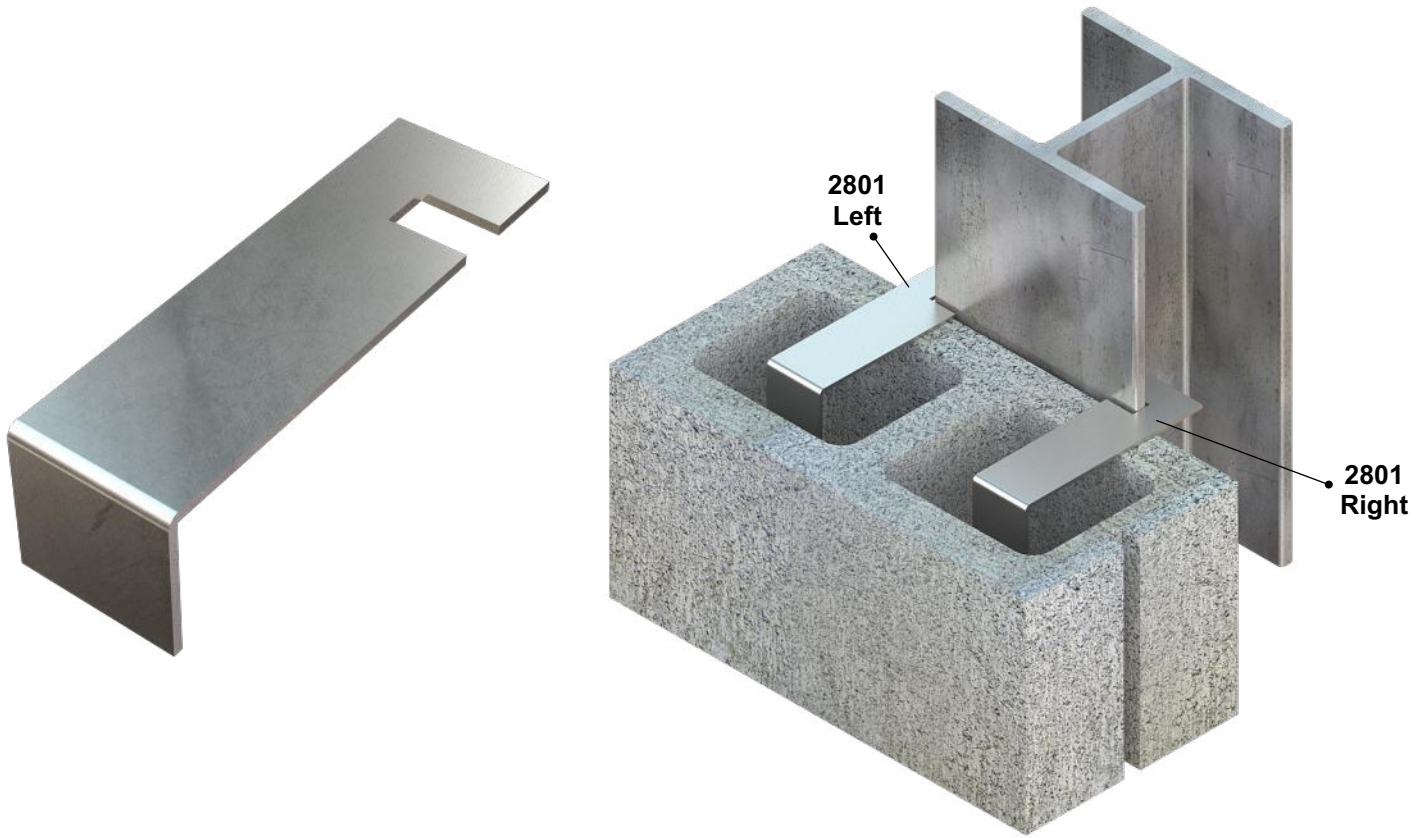



PRODUCT SUBMITTAL



2801 Notched Column Anchor



MATERIAL / CONFORMANCE	SIZES / FINISHES
<p>SHEET METAL - (Carbon Steel) ASTM A1008 / A1008M</p> <p>Mill Galvanized / Zinc Coating: ASTM A641 / A641M (0.10 Oz per sq ft)</p> <p>Hot Dip Galvanized after fabrication / Zinc Coating ASTM A153 / A153M-B2 (1.50 oz per sq ft)</p> <p>SHEET METAL - Stainless Steel AISI Type 304 ASTM A 666, ASTM 580 / ASTM 580M, ASTM A480/480M</p> <div style="display: flex; align-items: flex-start;"> <div style="margin-right: 20px;">  <p>Recycled Content: Mill Galvanized & Hot Dipped, 82.8% Post-Consumer 17% Post Industrial / Pre-Consumer</p> </div> <div> <p>Stainless Steel, 60% Post Consumer V O C Content - 0%</p> </div> </div>	<p>STANDARD DIMENSIONS</p> <p>12 gauge thick x 2" wide x 7" long with a 2" bend</p> <p>FLANGE SLOT</p> <p>5/8" wide x 1" deep located 1" from end</p> <p>Custom sizes available upon request</p> <p>FINISH:</p> <p>Mill Galvanized</p>



www.wirebond.com

Distributed by:
MasonAccess.com
(800) 924-6802