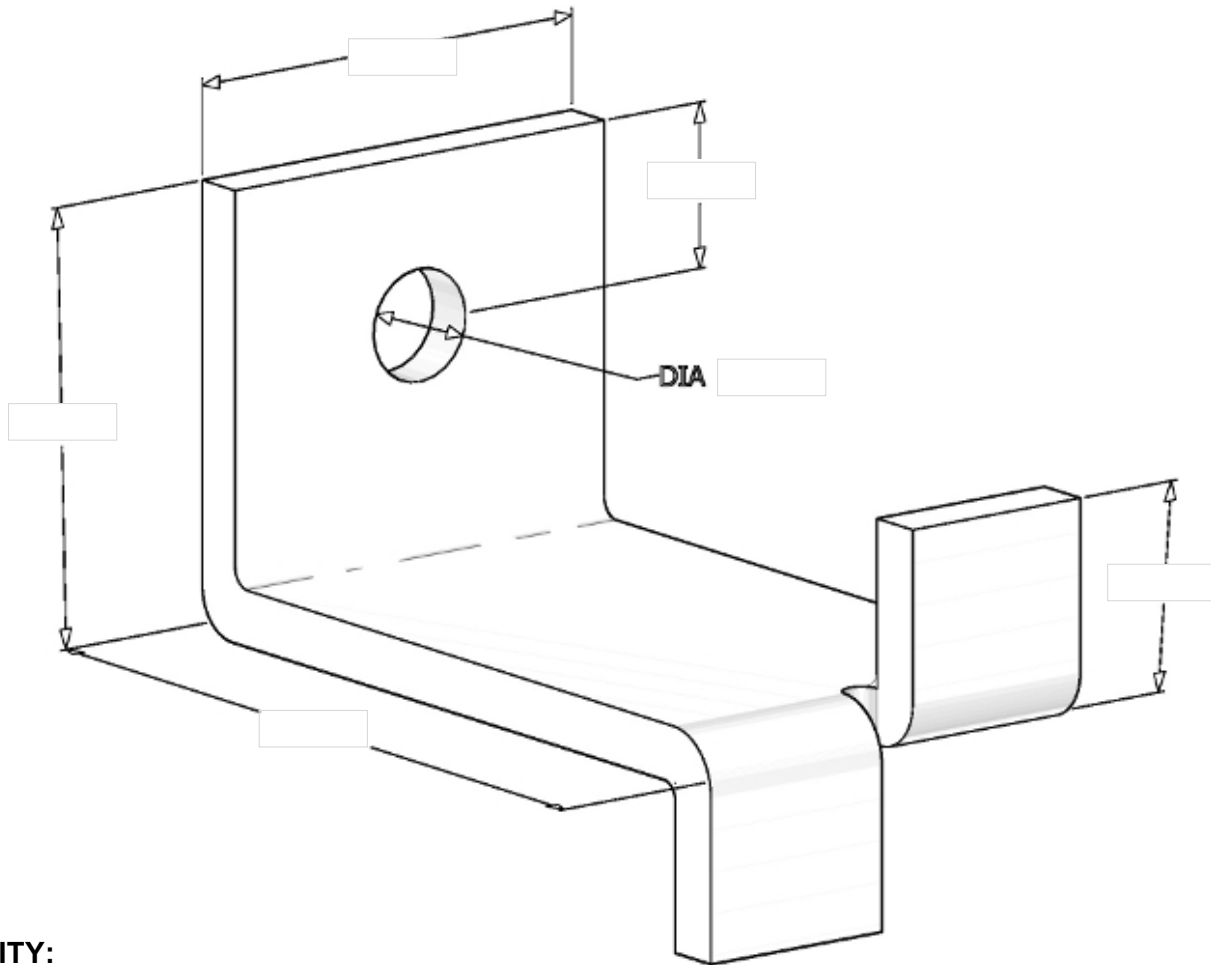


STONE ANCHORS

Split Tail



QUANTITY: _____

ST/ST Min. Fy = 45,000 p.s.i (ASTM A666)

THICKNESS:

- 1/8"
- 1/4"
- 3/16"
- Other _____

FINISH:

- Stainless Steel Type 316
- Stainless Steel Type 304



CONTACT INFORMATION:

Name: _____
 Company: _____
 Phone: _____ Fax: _____
 E-mail: _____

PROJECT INFORMATION:

Name: _____
 Location: _____

