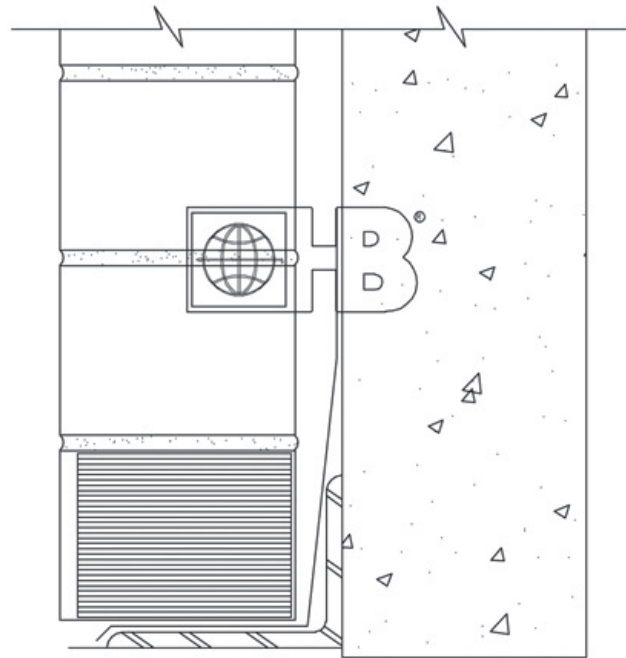
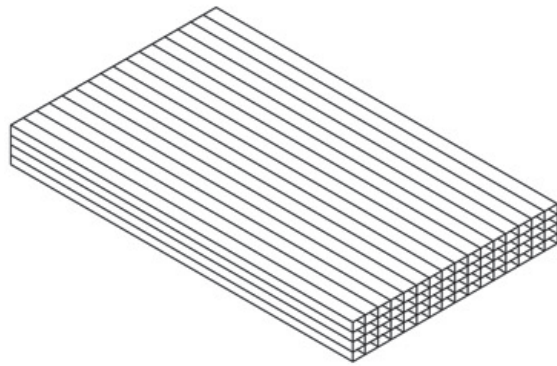


Weep Holes/Vents

QV - Quadro-Vent™



DRAWINGS FOR ILLUSTRATIVE PURPOSES ONLY

Quadro-Vent's honeycomb design allows passage of moisture from cavity to the building exterior while restricting ingress of insects and other debris.

- Allows passage of moisture up to its 2 ½" height, important in the event of mortar droppings at bottom of cavity.
- Is suitable for top of wall venting.
- Polypropylene tested in conformance with ASTM D2240, ASTM D790B, ASTM D638, and ASTM D1238B.

Color:

- | | | | |
|---------------------------------|--------------------------------|--------------------------------|--------------------------------|
| <input type="checkbox"/> Gray | <input type="checkbox"/> Clear | <input type="checkbox"/> Buff | <input type="checkbox"/> Black |
| <input type="checkbox"/> Almond | <input type="checkbox"/> Cocoa | <input type="checkbox"/> White | |

Size:

- Standard (3/8" thick x 3 ¾" wide x 2 ½" tall)
- Jumbo (3/8" thick x 3 ¾" wide x 3 ½" tall)
- Custom 3/8" x _____ x _____

IMPORTANT: Since each construction project is unique, the appropriate selection and use of any product contained herein must be determined by competent architects, engineers and other appropriate professionals who are familiar with the specific requirements of the project in question.