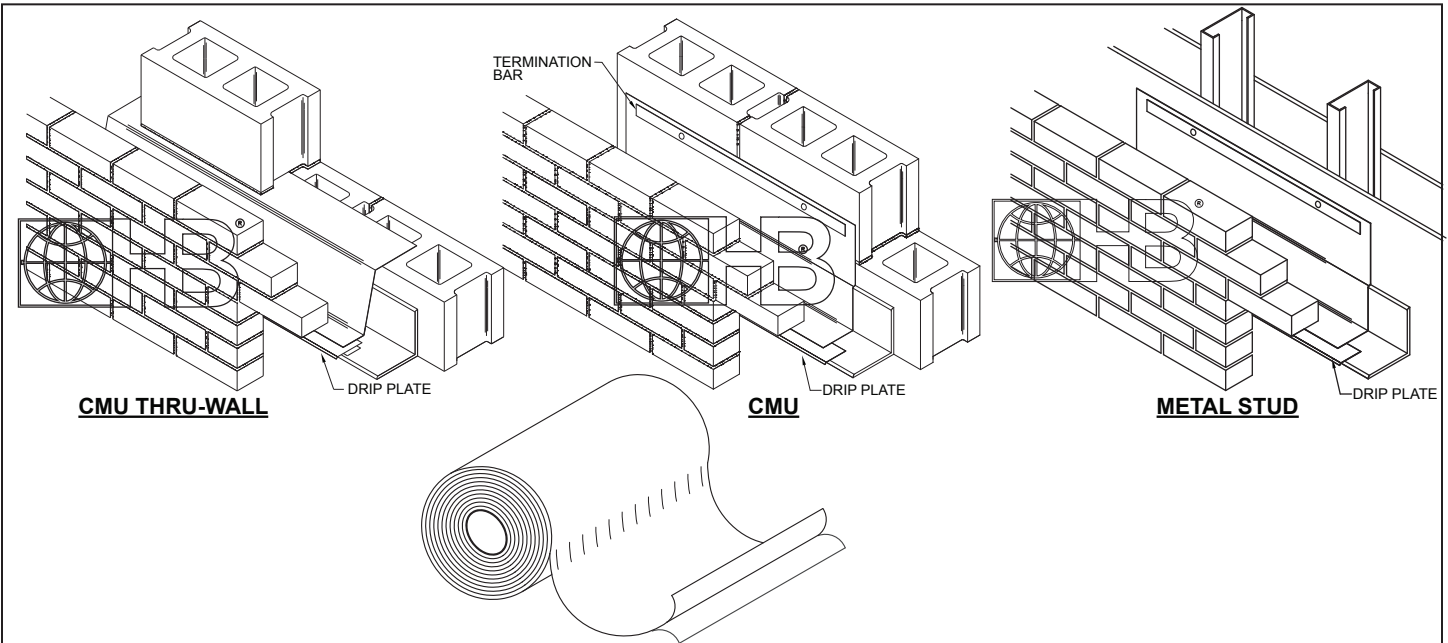


Flashing and Reglets

Flex-Flash® Flashing

Self Adhering Flashing



DRAWINGS FOR ILLUSTRATIVE PURPOSES ONLY

Flex-Flash® Flashing

Thru-Wall/Surface-Mount Flashing

Flex-Flash® is a polyester scrim reinforced 40-mil thick membrane formulated with Elvaloy® Kee*. Flex-Flash® has a pressure-sensitive, clear adhesive that will not drool when exposed to UV or heat.

- Extremely tough, with excellent impact and tear resistance.
- Flexibility is maintained in all weather environments, even in extreme heat or cold.
- Highly resistant to oils and will repel most chemicals.
- Compatible with most silicone and urethane sealants.
- Not susceptible to degradation by UV.
- An optional stainless steel drip edge is recommended to ensure diversion of moisture to outside of building (product can be cut flush with exterior wall)
- Surface mount applications should be attached with a stainless steel or aluminum termination bar.

U.S. Patent No. 6,584,746

Other Patents Pending

Flex-Flash® conforms to:

- **ASTM D412-99a**
- **ASTM D2240-00**
- **ASTM D624-00 Die C**
- **ASTM G154-00a**

*Elvaloy® is a registered trademark of the DuPont Company

*** Please refer to Hohmann & Barnard installation instructions for more information.**

Sizes: (Rolls are 75 ft. long)

- Widths: 12" 16" 18" 20" 24"
 36" Other _____

Stainless Steel DP - Drip Plate: (Recommended)

- 1 1/2" 3" Other _____

Flex-Flash® Drip Edge:

- 3"

Termination Bar:

- Stainless Steel (*Type 304*)
 Aluminum
 Plastic

- HB Sealant: 1 Quart Tube** **HB Sealant: 2 Gallon Pail**

- Primer-SA**
 Water-Based Self-Adhering Flashing Primer (5 gal. pail)

NOTE:

- See www.h-b.com for sealant compatibility info.

IMPORTANT: Since each construction project is unique, the appropriate selection and use of any product contained herein must be determined by competent architects, engineers and other appropriate professionals who are familiar with the specific requirements of the project in question. This drawing and/or data sheet is the confidential and proprietary information of Hohmann & Barnard, Inc. and is not to be reproduced, copied or disclosed, in whole or in part, without the prior written consent of H&B.