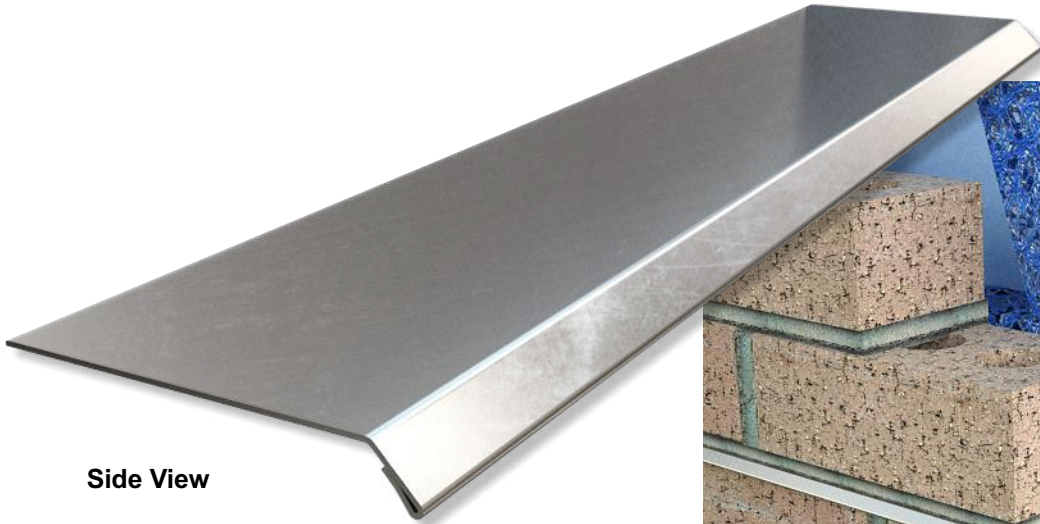


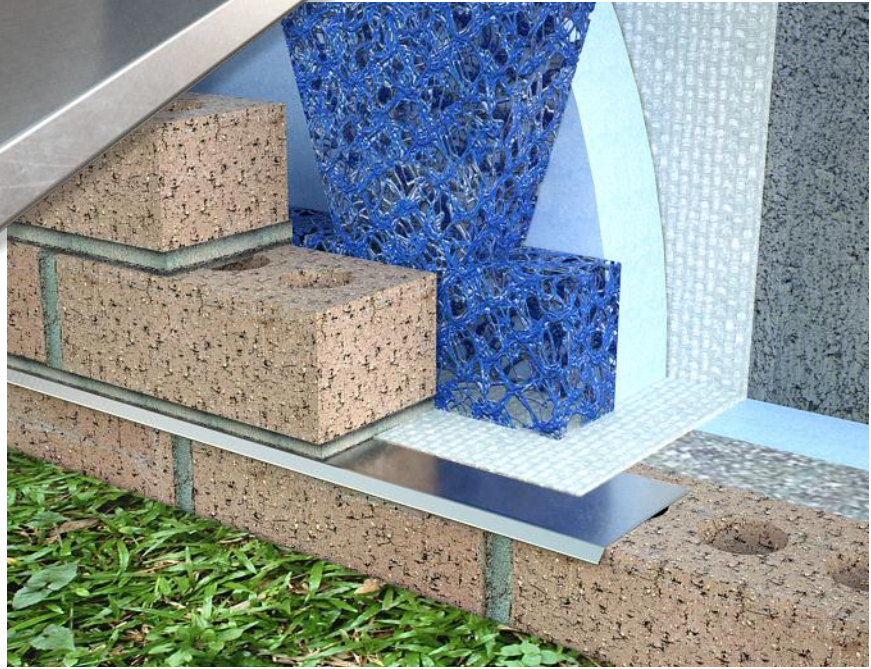
# PRODUCT SUBMITTAL



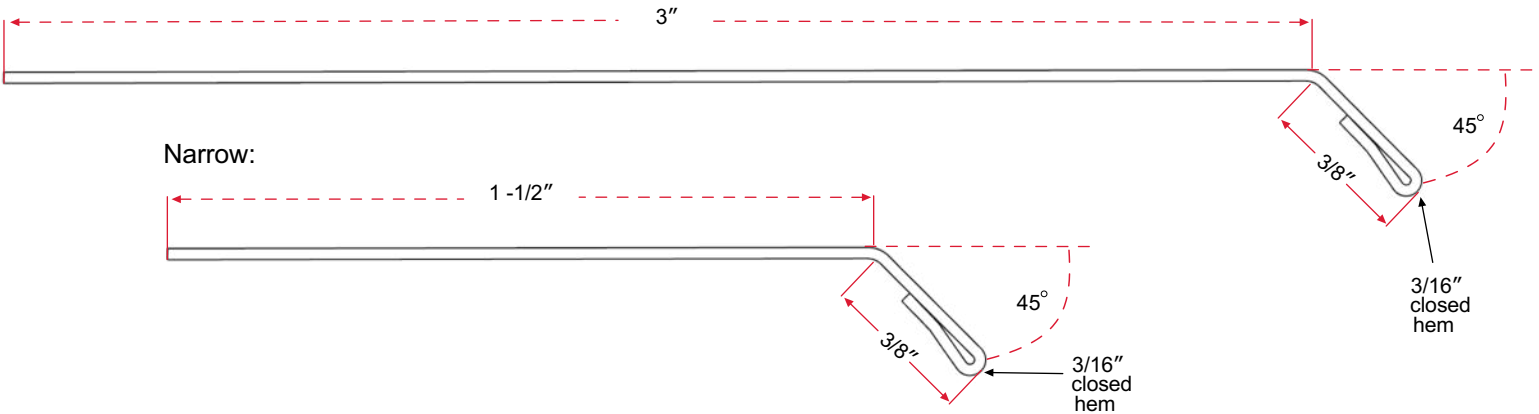
## #4165 Drip Edge Flashing



Side View



Standard:



MATERIAL CONFORMANCE	SIZES / FINISHES		
<b>SHEET METAL:</b> Stainless Steel Type 304: ASTM A240/A240M, ASTM A666, ASTM A480/A480M (Type 316 available on special orders)	<b>#4165 Drip Edge Flashing:</b> 26 gauge Standard length : 8'- 0"		<b>Packaging:</b> 25 per Box
<b>Steel Products (flats) Recycled Content:</b> Stainless Steel, 60% Post Consumer V O C Content - 0%	<b>WIDTH:</b> 3"	1-1/2"	Other
	<b>FINISH:</b> Stainless Steel Type 304: ASTM A240/A240M, ASTM A666, ASTM A480/A480M		



Distributed by:  
**MasonAccess.com**  
 (800) 924-6802